

## Installation Instructions

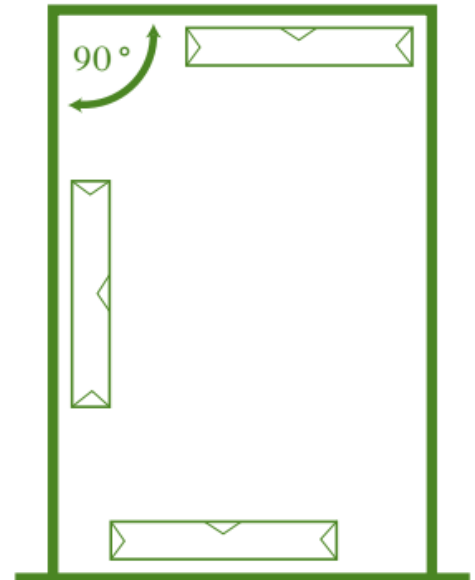
Are doorsets being installed at the right time? Generally 'doorsets are late second fix' items, often fully factory-finished. They should only be installed when wet trades, such as plastering, have been completed and drying out is well advanced. If not, STOP!

Is product going to be installed in the right Place? Each product will be labelled with a unique reference to locate the correct doorway from the project drawings and schedules. If the references do not match, STOP!

Is the opening correct? The structural opening width, height and partition thickness should be as the schedules/drawings, and plumb and level. Wall faces should be plumb and the floor finish level. If not, STOP!

Heavy doors! Doorsets can be very heavy, therefore the Health and Safety aspects of handling these products on site e.g. off-loading, storage, transporting to the final location and actual installation must be carefully considered.

Principal's range weights are typically:



Product	Door weight (Kg/m2)	Typical single leaf doorset weight* (Kg)
NR/FD30	26	64
FD60	40	90
NR/FD30	32	75
FD60	42	94

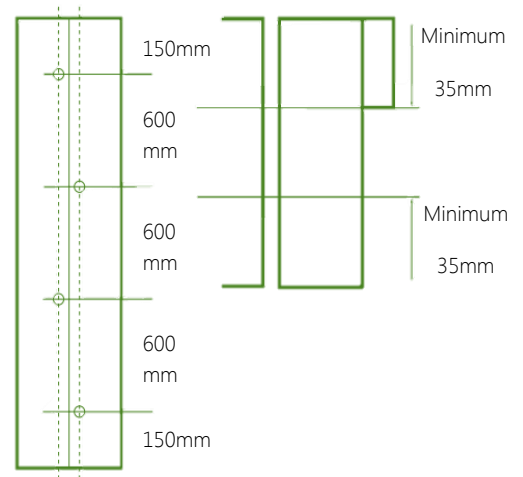
\* 1000mm x 2100mm unglazed doorset with medium density 100mm hardwood frame. All weights are approximate, ironmongery not included.

### Step-by-step

1. Remove packaging, taking care to retain any loose items such as loose ironmongery etc.
2. Carefully remove doors from the frames and stack flat, safely out of the way.
3. Offer frame into the opening and pack between hanging jamb/wall ensuring equal frame/wall tolerance gaps to both jambs.
4. Fix the hanging jamb to the wall with appropriate fixings, ensuring that the frame is plumb to both the structural opening and wall faces.
5. Check and adjust level of the frame head. Position the second jamb, ensuring it is plumb both ways and parallel to the hanging jamb.
6. Pack and insert two fixings only into the second jamb and, if needed for a pair of doors, the head. This allows for adjustment later.
7. Hang the door(s). Adjust packing to the back of the jambs where needed to achieve the required clearance by increasing/ decreasing the packing thickness. Check alignment for twist. Insert all remaining fixings.
8. Gaps at the back of the frames must be fully sealed as follows, prior to application of architraves in accordance to BS 8214

9. Apply architraves to door frame.

Note - We recommend a minimum of 4 number fixings per jamb, staggered in the rebate / stop, positioned a maximum 150mm from top and bottom of the frame, and at maximum 600mm centres. Fixings should be positioned a minimum 35mm from the face of the frame.



Recommendations for timber door frame/wall joints (summarised from BS 8214)

Wall construction	Max frame/wall gap width (mm)	Architrave condition	Additional Protection	
			30 min	60 min
Timber, stud, masonry, etc non-loadbearing (unlikely to distort)	Up to 10	A	None	Type 1
	More than 10	B	Type 1	Type 2
		All	Type 1	Type 2
Stell, stud, etc., loadbearing (likely to distort)	All	C	Type 1	Type 2
Fair-faced masonry, loadbearing and non-loadbearing	Up to 10	D	None	N/A
	More than 10	All	Type 1	N/A
	All	All	N/A	Type 2

<p>Architrave conditions</p> <p>A) Intimately fitted hardwood (or softwood for 30 minutes only) architraves at least 15mm thick with a 15mm overlap onto wall and frame.</p> <p>B) Imperfectly fitting architraves.</p> <p>C) Architrave fit cannot be guaranteed due to likely wall distortion in fire.</p> <p>D) Intimately fitted 19mm hardwood quadrant bead.</p>	<p>Additional protection</p> <p>Type 1 (one of the following)</p> <ul style="list-style-type: none"> <li>• 2mm x 10mm intumescent material as a preformed strip or seal</li> <li>• Mineral or glass wool packed to a depth of at least 10mm</li> <li>• A bead of intumescent paste or intumescent mastic</li> </ul>
<p>Notes:</p> <p>1 Principal architraves are 14mm thick.</p> <p>2 When requested we fit 2mm x 25mm intumescent strips, grooved into the back of fire resistant frames.</p> <p>3 Smoke control doorsets frame to wall gaps should always be packed with mineral or glass wool or sealed with a bead of intumescent past or mastic.</p>	<p>Type 2 (one of the following)</p> <ul style="list-style-type: none"> <li>• 2mm x 20mm intumescent material as a preformed strip or seal</li> <li>• Mineral or glass wool packed to a depth of at least 20mm</li> <li>• A bead of intumescent paste or intumescent mastic</li> </ul>

For additional assistance please call: 01237 439 152 or email [info@principaldoorsets.co.uk](mailto:info@principaldoorsets.co.uk)